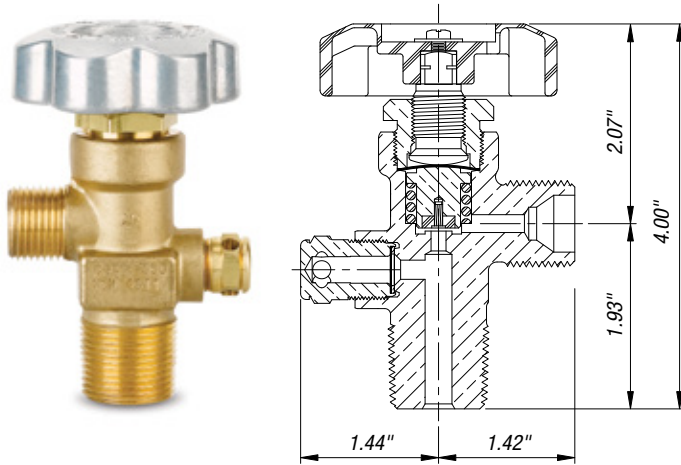


5074 Series Brass Diaphragm Valves



Sherwood's 5074 Series is designed for various high purity gases, UHP mixtures and pure gas applications.

- Standardized anti-extrusion pin feature prevents seat extrusion and cold flow of the polymeric seat
- Available in multiple seat material configurations to accommodate all high-purity gas applications
- Increased flow (Cv) to aid in reducing vent and purge times
- Low operating torque design ensures ease of operation during filling and use
- Available with unitized pressure-relief device, which is equipped with a webbed washer design to protect the burst disc from damage during transportation and replacement
- Optional inlets equipped for dip tube assembly
- Available with standard CGA connections as well as international inlets and outlets

Ordering Information

5074 X - (CGA) X X - B

X =
R = Tapped for Flow Restrictor
T = Tapped for Inlet Dip Tube
X15 = 1/8"-12 UNF Inlet (Straight Thread)
X75 = 3/4"-16 UNF Inlet (Straight Thread)

PSIG
A = 3000 PSIG
B = 3360 PSIG
C = 3775 PSIG
D = 4000 PSIG

X = Temperature
M = 165° Fuse Metal
W = 212° Fuse Metal

Certified Cleaned for Oxygen Service

Brass Diaphragm Valves			
Valve Series	Inlets	Outlets	Seat Material
5074 Tapered	3/4"-14 NGT	CGA	Nylon® 6/6 PCTFE PVDF
5074X15 Straight Thread	1/8"-12 UNF 3/4"-16 UNF	CGA	Nylon 6/6 PCTFE PVDF
5074 International Series	BS 341, DIN 477, ISO; All Others Available upon Request	CGA, BS 341, DIN 477, ISO; All Others Available upon Request	Nylon 6/6 PCTFE PVDF

Optional Features	
R =	Outlet: Tapped for 3/8"-24 UNF Flow Restrictor
T =	Inlet Tap Available in 1/4", NPT or 10 mm
B =	Certified Cleaned for Oxygen Service

Pressure-Relief Device	
Burst Pressure @ 165° F	A – 3000 PSIG B – 3360 PSIG C – 3775 PSIG D – 4000 PSIG
Burst Disc Material	Nickel 200 Copper
Type (per to CGA S1.1 latest edition)	None, Where Prohibited CG-1 Burst Disc Only CG-4 Burst Disc w/ 165° F Fuse Metal CG-5 Burst Disc w/ 212° F Fuse Metal

Specifications		
Max. Service Pressure	3000 PSIG	200 Bar
Temperature Range	-50° F → 130° F	-45° C → 54° C
Leak Rate @ 2000 PSIG (138 Bar)	1x10 ⁻⁷ atm cc/sec.	1x10 ⁻⁷ Bar mL/sec.
Closing Torque	50 in.-lbs. @ 2000 PSIG	5.6 N-m @ 138 Bar
Cv	.635	.635

Refer to Gases Chart on page 8 to find a valve suited for your application.



SWD0413 ©2013 Sherwood Valve, LLC



www.sherwoodvalve.com • 888.508.2583